



Open Sea Fish Farming Solutions

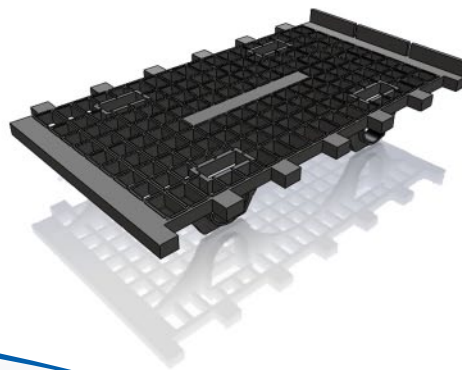
The Triton 400 pens have been developed to meet the demanding conditions found in open sea fish farming sites. With the future trend of fish farming moving further offshore, these incredibly strong large diameter pens provide the perfect solution.



Pen Features

- Manufactured utilising the security and safety of Fusion Marine's proven three ring system
- Pen manufacture utilises Butt Fusion and Electrofusion process and control
- A flexible yet robust and durable polyethylene structure, built for challenging environments
- A heavy duty moulded base unit
- Low maintenance design resistant to saltwater corrosion
- Heavy gauge handrail pipe used to resist deformation
- Incorporates a full slip resistant, modular decking system compliant with current HSE guidelines
- Pens have a low environmental visual impact
- A range of customisation possibilities and accessories available upon request

All Pens supplied with a Fusion Marine operator manual. Further information about products is available in the operator manual.



The Triton 400 system is based on a tried and tested pipe of 400mm diameter covering pen sizes from 70-150m



Pen Code (circumference)	T400702 (70m)	T400802 (80m)	T400902 (90m)	T4001002 (100m)	T4001202 (120m)	T4001502 (150m)
	T400703 (70m)	T400803 (80m)	T400903 (90m)	T4001003 (100m)	T4001203 (120m)	T4001503 (150m)
Pen Diameter	22.2	25.5	28.6	31.8	38.2	47.7
No. of Uprights (variations on request)	28	32	36	40	48	60
Volume Per1m of Net depth (1m ³)	390	510	645	796	1146	1791
Pen weight (kgs)	7275 8592	7792 9289	8875 10933	9820 12098	11743 14464	14612 17995
Gross Pen Buoyancy (kgs)*	16060 24090	18257 27385	20453 30680	22650 33974	27043 40564	33633 50449

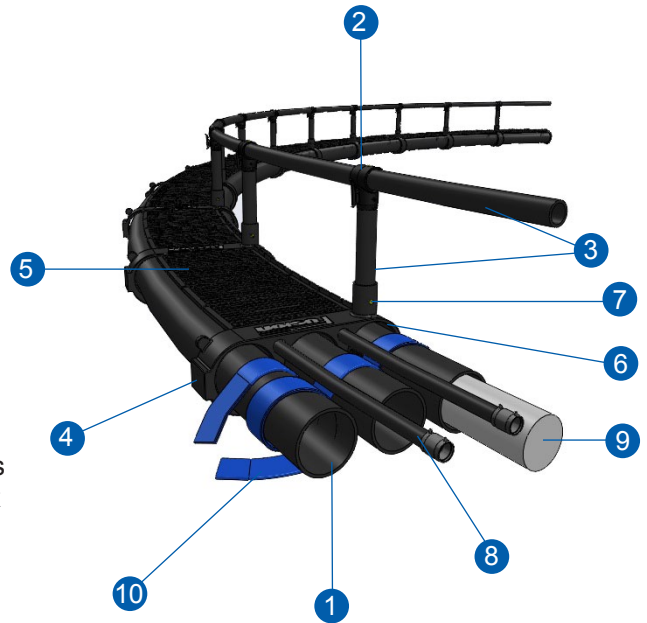
*Calculations are for seawater conditions.

(Fusion Marine Limited reserves the right to make improvements and changes to products and specifications without notice)



Parts

- 1 2 or 3 Ø400mm polyethylene rings with heavy walled pipe to resist impact and kinking
- 2 Ø140mm electrofusion stanchion tee with additional cleat
- 3 Ø140mm stanchion/thick walled handrail
- 4 Heavy duty PE base unit complete with built-in fender and predator net attachment points
- 5 Injection moulded modular decking
- 6 Electrofusion or extrusion weld stops used to minimise base movement
- 7 Injection moulded retainer pin
- 8 Ø90mm retainer pipe used to integrate decking with base units and secured with Electrofusion for a permanent and flexible fix
- 9 Polystyrene (EPS) inner ring infill
- 10 6.8m/8 Tonne blue mooring strop



Also available for Ø450mm pipes using a specifically developed base unit