



Robust and versatile fish farm pens

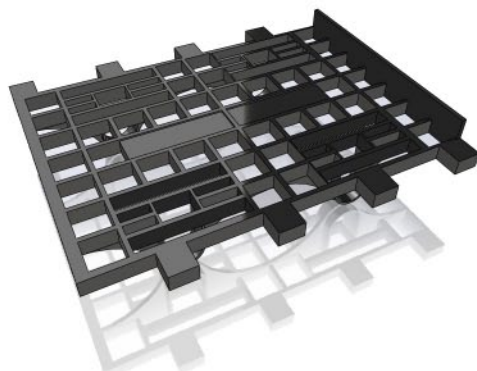
The proven and highly successful Aquaflex system covers pen sizes from 35-80m circumference and utilises 250mm diameter flotation pipes. Incredibly robust and featuring a modular design, Aquaflex pens have been engineered to give farmers peace of mind so they can concentrate on rearing quality fish. Aquaflex is the ideal system for inshore sea farms, freshwater farms, pilot farms and for rearing juvenile stock.



Pen Features

- Manufactured utilising the security and safety of Fusion Marine's proven three ring system
- Pen manufacture utilises Butt Fusion and Electrofusion process and control
- A flexible yet robust and durable polyethylene structure, built for challenging environments
- A Heavy duty moulded base unit
- Low maintenance design resistant to saltwater corrosion
- Heavy guage handrail pipe used to resist deformation
- Incorporates a full slip resistant, modular decking system compliant with current HSE guidelines
- Pens have a low environmental visual impact
- A range of customisation possibilities and accessories available upon request

All Pens supplied with a Fusion Marine operator manual. Further information about products is available in the operator manual.



The Aquaflex pen system covers pen sizes from 35-80m circumference



Pen Features

Pen Code (circumference)	AP352 (35m)	AP402 (40m)	AP502 (50m)	AP602 (60m)	AP702 (70m)	AP803 (80m)
	AP353 (35m)	AP403 (40m)	AP503 (50m)	AP603 (60m)	AP703 (70m)	
Pen Diameter	11.2	12.7	15.9	19.1	22	25.5
No. of Uprights (variations on request)	18	20	24	32	36	40
Volume Per1m of Net depth (1m ³)	97	127	199	287	390	509
Pen weight (kgs)	1460 1848	1539 1959	1946 2467	2490 3141	2785 3508	3969
Gross Pen Buoyancy (kgs)*	2884 4326	3276 4850	4061 6091	4845 7267	5629 8444	9260

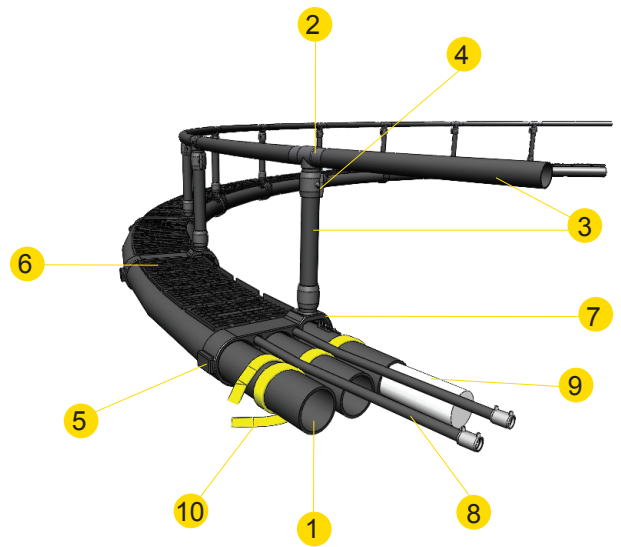
*Calculations are for seawater conditions.

(Fusion Marine Limited reserves the right to make improvements and changes to products and specifications without notice)



Parts

- 1 2 or 3 Ø250mm polyethylene rings with heavy walled pipe to resist impact and kinking
- 2 Ø110mm injection moulded tee for butt fusion
- 3 Ø110mm stanchion/thick walled handrail
- 4 Ø110mm electro fusion coupler with additional cleat
- 5 Heavy duty PE base unit complete with built in fender
- 6 Injection moulded modular decking
- 7 Electrofusion stops used to minimise base movement
- 8 Ø50mm retainer pipe used to integrate decking to base units and secured with electrofusion for a permanent fix
- 9 Polystyrene (EPS) inner ring infill
- 10 3.4m/3 Tonne yellow mooring strop



Aquaflex Pens are also available in square form ranging from 4m x 4m up to 12m x 12m